



641 W. Kathleen Dr.
Des Plaines, IL 60016

(847) 952-1066

www.advanced-energy-products.com

LED FLUORESCENT TUBE LIGHT – 4FT

Designed around CREE LM80 LED Platform



FEATURES / BENEFITS

High Luminance and Low Power Consumption; 2200 Lm at 20W (Low)

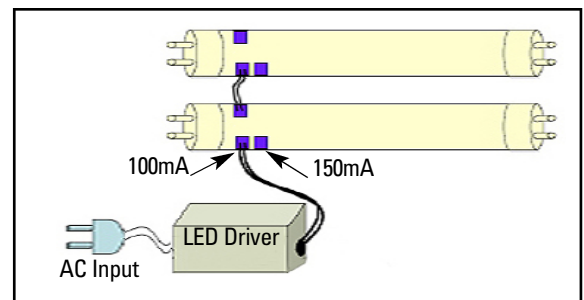
Super Long Life and Easy Install

Replaces Fluorescent Tube Lights

Specifications

Selectable Wattage	20 or 30 Watts
Approximate Equivalence	1 LED for 2 Fluorescent Tubes
Input Voltage	108-308VAC or 24VDC
Color Temp (ANSI)	White (4000K)
(Client selectable)	Cool White (5000K)
CRI (Color Rendering Index)	82 (average)
2 Level Output-Selectable	2200, or 3100 Lumens (CW)
Beam Angle	120 degrees
Dimensions	1198mm x 28mm
Expected Life Span	>100,000 hours
Operating Temperature	-13°F – 140°F (-40°C – 65°C)
Ratings	Indoor Applications
Warranty	5 years Lamp and Driver
Certifications	UL, CE, RoHS
LED Manufacturer	CREE
LED Degradation (LD70)	<15% after 100,000 hours
LED Driver	Rated for >100,000 hours
Patent Pending	Provided upon request
Lumens per Wat	110 (100mA), 101 (150mA)
Power Factor Correction	Built into custom LED Driver

- ✓ Longer Life than other Grow Lights
- ✓ No RF Interference
- ✓ >70% Energy Saving
- ✓ No Mercury, RoHS-Compliant



**Ordering information for
LED FLUORESCENT TUBE-4FT:**
Specify lens as C (Clear) or F (Frosted)

GL-T84F-LED-W-MLE2FC (4000K)

GL-T84F-LED-CW-MLE2FC (5000K)

(847) 952-1066

www.advanced-energy-products.com

Energy Star Compliant ★ PROUDLY MADE IN AMERICA

Advanced Energy makes it easy to go green